

## APE LED road bulb retrofit premium lights at lower energy consumption and lower maintenance costs



### Product advantages:

- Direct replacement of conventional sodium and metal halide bulbs for each power level
- Up to 80% energy savings compared to conventional sources
- Optimised weight and size thanks to compact design
- Standard handles E27, E40
- Versions with different light sources for installation at heights from 3 to 16 m

### Product features:

- Body made of aluminium, housing made of ABS
- 7-year warranty
- Source efficiency: up to 190 lm/W
- Luminous flux: up to 33250lm
- Angles of light output: 90°, 180°, 270°, 360°, 2x90°
- Colour temperature: 3000°K, 3500°K, 4000°K, 4500°K, 5000°K and 6000°K
- Colour rendering index (CRI ≥ 80)
- Ambient operating temperature: -30°C ÷ +50°C
- Durability: 50 000 hours

## General information

Ambient temperature range	-30 °C ÷ +50 °C
Maximum dimming level	25%
Input voltage	230V 50Hz
CE marking	Yes
Protection class IEC	Safety Class I
Driver included	Yes
Power factor	cos φ ≥ 0,97
Efficiency of the power supply	η ≥ 0,95
Surge protection	6 kV
Power consumption tolerance	+/-10%
Luminaire light beam spread	90°, 180°, 270°, 360°, 2x90°
Color temperature	3000°K, 3500°K, 4000°K, 4500°K, 5000°K, 6000°K
Color rendering index	Ra ≥ 80
Luminous flux tolerance	+/-10%
Lifetime L70B50	50 000 h
Source efficiency	≥ 190 lm/W
Materials	Housing: aluminium
	Case: ABS
Dimmable	Yes, built-in adaptive system

The source has:

- thermal protection
- built-in fan (switch-on temperature 60°C)

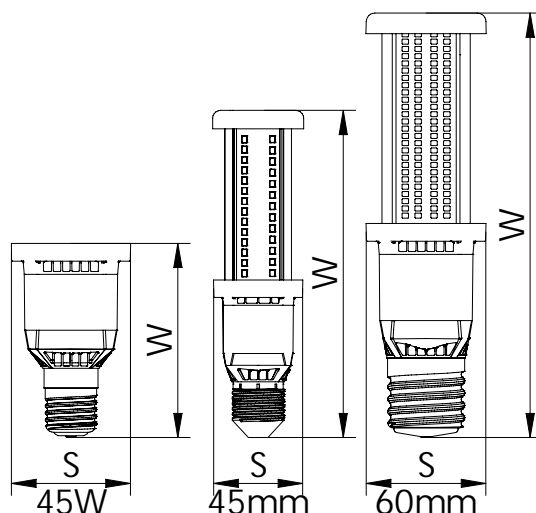
Installation of the source in a lamp with minimum IP54

## Product data

Product name	Luminous flux	Power	Source efficiency
ZA35	6650 lm	35 W	190 lm/W
ZA45	8550 lm	45 W	190 lm/W
ZA55	10450 lm	55 W	190 lm/W
ZA75	14250 lm	75 W	190 lm/W
ZA100	19000 lm	100 W	190 lm/W
ZA125	23750 lm	125 W	190 lm/W
ZA150	28500 lm	150 W	190 lm/W
ZA175	33250 lm	175 W	190 lm/W

## Technical data

Product name	Power	Dimensions WxS mm	Weight	Socket
ZA35.E27	35 W	172x45	180 g	E27
ZA55.E27-4	55 W	172x45	370 g	E27
ZA35.E40	35 W	187x45	185 g	E40
ZA55.E40-4	55 W	187x45	375 g	E40
ZA55.E27-6	55 W	207x60	375 g	E27
ZA75.E27	75 W	207x60	380 g	E27
ZA100.E27	100 W	207x60	380 g	E27
ZA125.E27	125 W	207x60	385 g	E27
ZA55.E40-6	55 W	221x60	380 g	E40
ZA75.E40	75 W	221x60	385 g	E40
ZA100.E40	100 W	221x60	385 g	E40
ZA125.E40	125 W	221x60	390 g	E40
ZA125.E40-D	125 W	246x60	400 g	E40
ZA150.E40	150 W	246x60	400 g	E40
ZA175.E40	175 W	246x60	400 g	E40
ZA45.E27	45 W	95x60	90 g	E27
ZA45.E40	45 W	115x60	90 g	E40



## Lighting planes

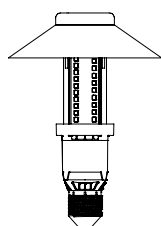
Product name	ZAXX.X.Y.1P	ZAXX.X.Y.2P	ZAXX.X.Y.3P	ZAXX.X.Y.4P	ZAXX.X.Y.2P2A
Direction of light emission	90°	180°	270°	360°	2x90°
Percentage distribution of light flux	100%	50%	33%	25%	50%

## Light source colour

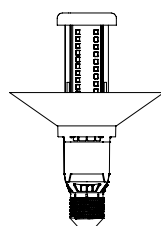
Product name	Color temperature	Product name	Color temperature
ZAXX.X.830	3000°K	ZAXX.X.845	4500°K
ZAXX.X.835	3500°K	ZAXX.X.850	5000°K
ZAXX.X.840	4000°K	ZAXX.X.860	6000°K

Emission limiters for spherical luminaires:

nontransparent

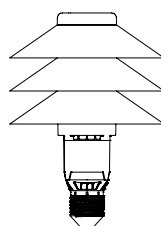


ZAXX.X.Y.Z.1DG

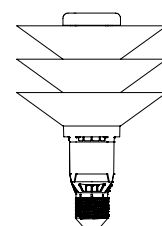


ZAXX.X.Y.Z.1OG

transparent



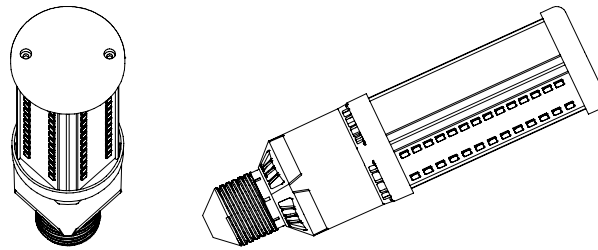
ZAXX.X.Y.Z.DG



ZAXX.X.Y.Z.OG

		Built-in programs in versions				
Version	ZAXX.X.Y.Z.P5	ZAXX.X.Y.Z.P4	ZAXX.X.Y.Z.P3	ZAXX.X.Y.Z.P2	ZAXX.X.Y.Z.PC	
	Program A	Program A1	Program C	Program A1	Program C1	
	Program A1	Program A2	Program B	Program C3	Program C2	
Available programmes	Program AU	Program AU	Program D		Program C3	
	Program A2	Program AB				
	Program B					

The way of mounting in the luminaire:



Luminous planes facing the roadway